

## TGA 4 Amp Power Relay

**TGA 706-0015**

- **Flexible high power switching up to 4Amps/220V AC**
- **Plug in module for TGA Architecture<sup>1</sup>**
- **Available as TGA or VXI message based module<sup>2</sup>**
- **Normally open and normally closed contacts accessible**
- **On board selftest circuitry<sup>3</sup>**
- **Ideal for utility power switching in any test system**

The TGA 4Amp power relay module is designed for high density cost effective utility switching in an automatic test system.

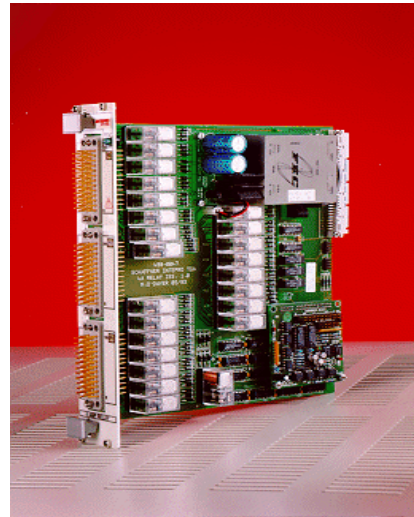
There are 24 double pole double throw (DPDT) relays on each module. The relays provide a convenient method of switching power signals within the test system. The fact that the on board relays are rated at 220V AC means that mains signals (less than 4A) can be switched in a test application without the need for fitting contactors in the device under test (DUT) fixture.

Typical application of this module include switching Power Resistors in binary selectable AC load. Turning on and off fans in the fixture and DUT. Short circuiting outputs.

Connecting DUT outputs in parallel under program control. Discharging large capacitors under program control, and so on.

Due to the high power switching capability of this module all of the switching circuits are enclosed in an EMI screen to minimize any interference with neighboring modules in the rack.

Both the normally OPEN and the normally CLOSED contact of each relay are available at the user connectors on the front of the module. If sufficient consideration is given to selecting the right type and number of free relays in a system the users DUT fixturing can usually be reduced to contain simple wiring only.



The module is fully supported by the POWERSUITE and POWERSTAR software platforms supplied by Intepro.

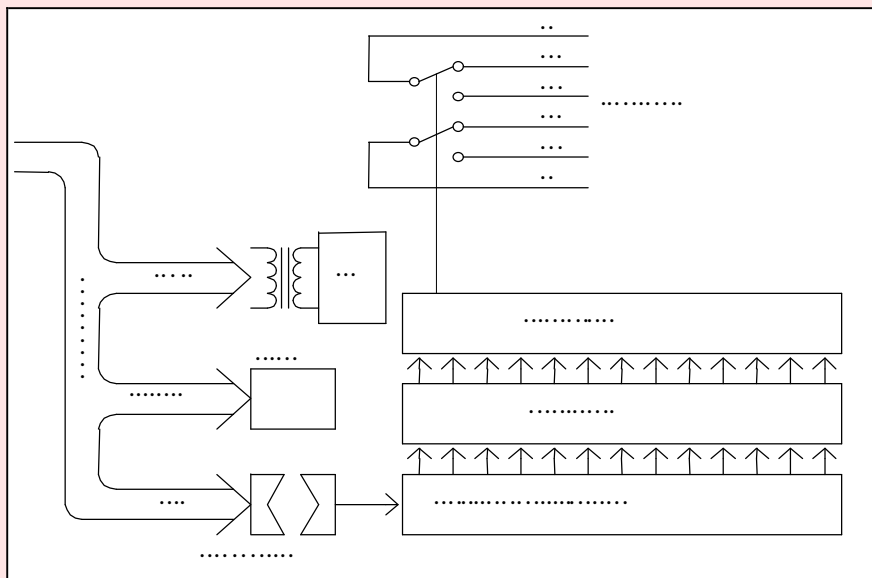
The module is designed for simple plug in insertion into a TGA backplane system ( low cost ) or into any standard VXI backplane.

The user interface to the module is via three 24 way Positronic bulk connectors (PLC24F0050) This facilitates swift connection and disconnection in an ATE system.

The TGA 4A power relay card is ideal for cost effect, reliable, high density, medium power switching.

## Technical Specifications

<b>Relay Form :</b>	Double Pole Double Throw (DPDT)	<b>Size :</b>	233mm x 220mm x 45mm TGA module (H x D x W) C Size, Double Slot VXI module
<b>Maximum Voltage :</b>	250V AC 125V DC	<b>User connections :</b>	Three 24 way Positronic Connectors (PLC2F0050) (Pin inserts FS114N2)
<b>Maximum current :</b>	4 A @ 30V DC	<b>Operating Temp :</b>	0°C to 55°C
<b>Contact resistance :</b>	50m $\Omega$ Max	<b>Storage Temp :</b>	0°C to 70°C
<b>Operate time :</b>	15 mS Max	<b>Humidity :</b>	10% to 85% Relative
<b>Release time :</b>	10mS Max		



**Each module has 24 relays of form type indicated above**

### Ordering information

706-0015 TGA 4A Power Relay Module

### Options

<sup>1</sup> see separate data sheet on TGA backplane    <sup>2</sup> Requires TGA/VXI adapter module    <sup>3</sup> Selftest software available as a separate option



**Intepro Systems**  
1530 S. Lyon Street  
Santa Ana, CA 92705  
+1.714.679.9749  
+1.714.835.3441 (Fax)

**EU/Ireland**  
Intepro Systems  
Lonsdale Road  
National Technology Park  
Limerick / Ireland  
+353.61.33.22.33  
+353.61.33.25.84 (Fax)

**UK**  
Intepro Systems  
Ashville Way  
Molly Millar's Lane  
Wokingham / UK  
+44.118.977.0070  
+44.118.979.2969 (Fax)